
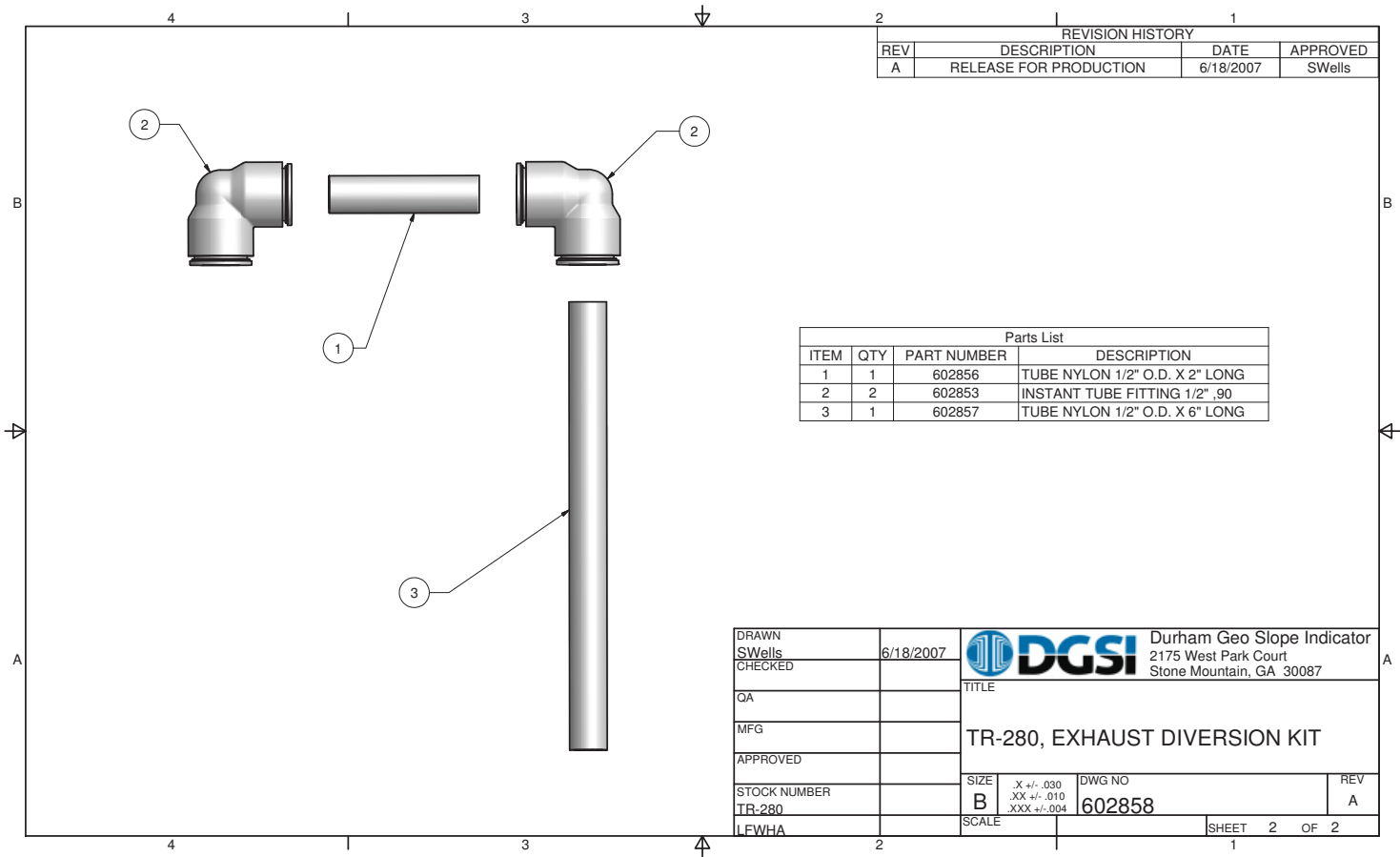



REVISION HISTORY			
REV	DESCRIPTION	DATE	APPROVED
A	RELEASE FOR PRODUCTION	6/18/2007	SWells

DRAWN SWells	6/18/2007	 DGS Durham Geo Slope Indicator 2175 West Park Court Stone Mountain, GA 30087	TITLE
CHECKED			TR-280, EXHAUST DIVERSION KIT
QA			
MFG			
APPROVED			
STOCK NUMBER TR-280		SIZE B X +/- .030 XX +/- .010 XXX +/- .004	DWG NO 602858
LEWHA		SCALE	REV A
			SHEET 1 OF 2



REVISION HISTORY			
REV	DESCRIPTION	DATE	APPROVED
A	RELEASE FOR PRODUCTION	6/18/2007	SWells

Parts List			
ITEM	QTY	PART NUMBER	DESCRIPTION
1	1	602856	TUBE NYLON 1/2" O.D. X 2" LONG
2	2	602853	INSTANT TUBE FITTING 1/2", .90
3	1	602857	TUBE NYLON 1/2" O.D. X 6" LONG

DRAWN SWells	6/18/2007	 DGS Durham Geo Slope Indicator 2175 West Park Court Stone Mountain, GA 30087	TITLE
CHECKED			TR-280, EXHAUST DIVERSION KIT
QA			
MFG			
APPROVED			
STOCK NUMBER TR-280		SIZE B X +/- .030 XX +/- .010 XXX +/- .004	DWG NO 602858
LEWHA		SCALE	REV A
			SHEET 2 OF 2