

REVISION HISTORY			
REV	DESCRIPTION	DATE	APPROVED
A	RELEASE FOR PRODUCTION	2/23/2009	SLW

B

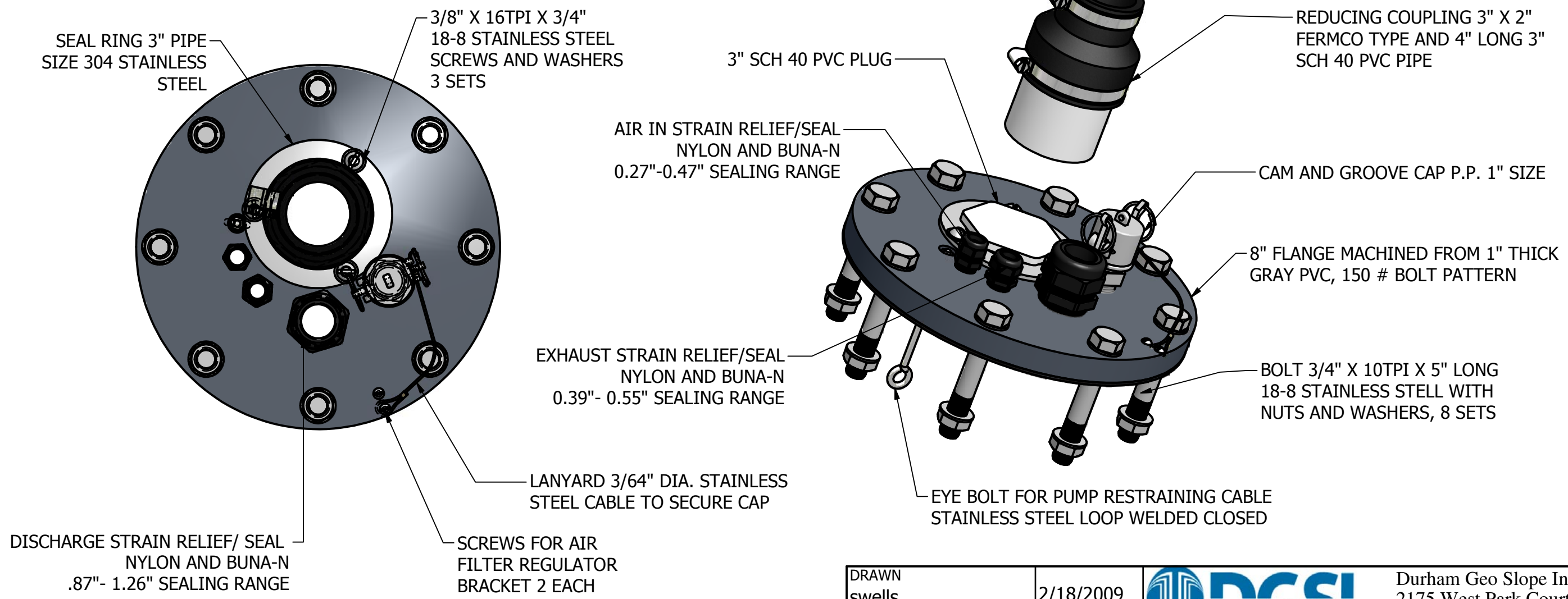
A


A

B

A

A



DRAWN swells	2/18/2009	 Durham Geo Slope Indicator 2175 West Park Court Stone Mountain GA. 30087	
CHECKED			TITLE
QA		TR-27605, 8" FLANGE WELL SEAL	
MFG			
APPROVED			
PLUG SEALS		SIZE B	DWG NO 603420
		SCALE	REV A
		SHEET 1 OF 2	

4

3

2

1

4

3

2

1

4

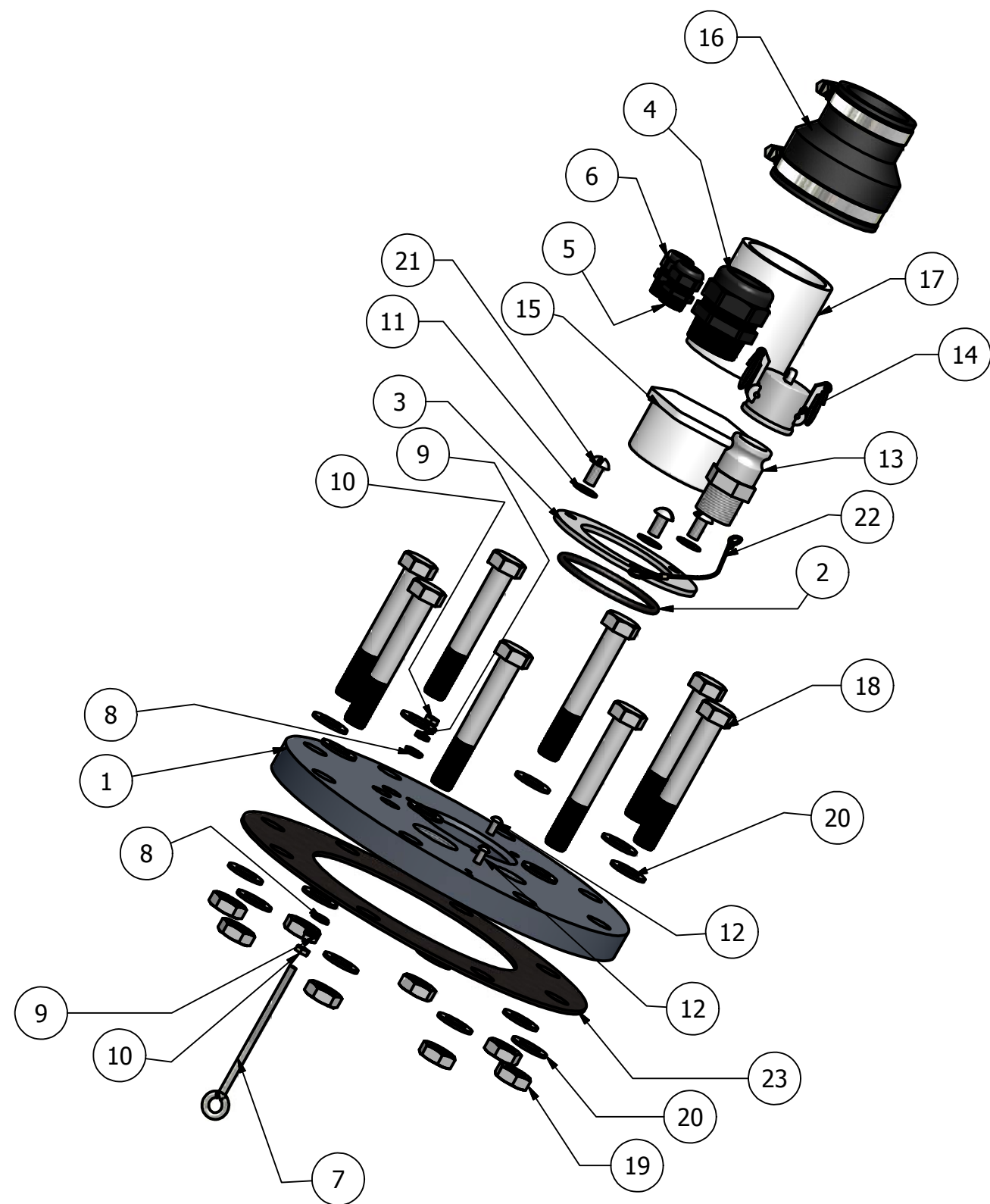
3


2

1

REVISION HISTORY			
REV	DESCRIPTION	DATE	APPROVED
A	RELEASE FOR PRODUCTION	2/23/2009	SLW

PARTS LIST			
ITEM	QTY	PART NUMB	DESCRIPTION
1	1	603414	8" FLANGE MODIFIED FOR SEAL
2	1	603424	O-RING #341 BUNA-N
3	1	603342	SEAL RING 3" PIPE SIZE
4	1	602505	DISCHARGE STRAIN RELIEF/ SEAL
5	1	602506	EXHAUST STRAIN RELIEF / SEAL
6	1	602507	AIR INLET STRAIN RELIEF/SEAL
7	1	602504	EYE BOLT
8	2	602512	WASHER SEAL 1/4" SS
9	2		LOCK WASHER 1/4" SS
10	2		NUT 1/4" X 20 TPI SS
11	3	603346	WASHER 3/8" 18-8 S.S.
12	2		SCREW 1/4" X 20 TPI X 1/2" L SS
13	1	602774	1" PLUG C & G X 1" MNPT PP
14	1	603417	CAP 1" CAMLOC
15	1	603418	PLUG PIPE 3" PVC SCH 40
16	1	603416	REDUCING COUPLING 3" X 2"
17	1	603415	PIPE 3" PVC SCH 40
18	8	602804	BOLT, 3/4" X 10 TPI X 5" L. 18-8 SS
19	8	602806	NUT, 3/4" X 10 TPI 18-8 SS
20	16	602930	3/4" WASHER FLAT 18-8 S.S.
21	3	603419	SCREW 3/8-16 X 3/4"L.SS
22	1	603423	LANDYARD 12' LONG SS
23	1	602799	GASKET 8" FLANGE FULL FACE BUNA-N



DRAWN swells	2/18/2009	 Durham Geo Slope Indicator 2175 West Park Court Stone Mountain GA. 30087	
CHECKED			TITLE
QA		TR-27605, 8" FLANGE WELL SEAL	
MFG			SIZE
APPROVED			DWG NO
PLUG SEALS		B	603420
		SCALE	REV A
			SHEET 2 OF 2

4

3

2

1