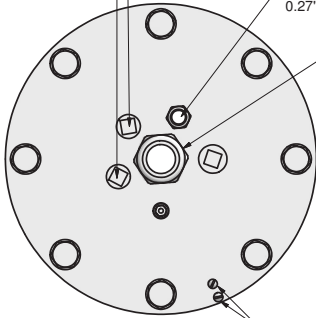


REVISION HISTORY			
REV	DESCRIPTION	DATE	APPROVED
A	RELEASE FOR PRODUCTION	5/23/2007	SWells

1/2" NPT WITH NYLON PLUG
INSTALLED, USE FOR
LIQUID LEVEL AND OR
VACUUM MEASUREMENTS
2 EACH



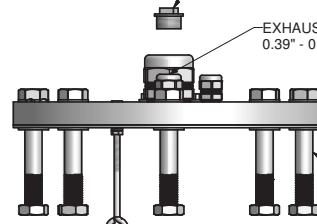
AIR IN STRAIN RELIEF/SEAL
0.27" - 0.47" SEALING RANGE

DISCHARGE STRAINRELIEF/SEAL
0.87" - 1.26" SEALING RANGE

SCREWS FOR AIR
FILTER/REGULATOR
BRACKET

PIPE PLUG 3/4" NYLON, USED TO SEAL
THREADED EXHAUST HOLE WHEN
EXHAUSTION PUMP IN THE WELL FOR
MAXIMUM DRAW DOWN

EXHAUST STRAIN RELIEF/SEAL
0.39" - 0.55" SEALING RANGE

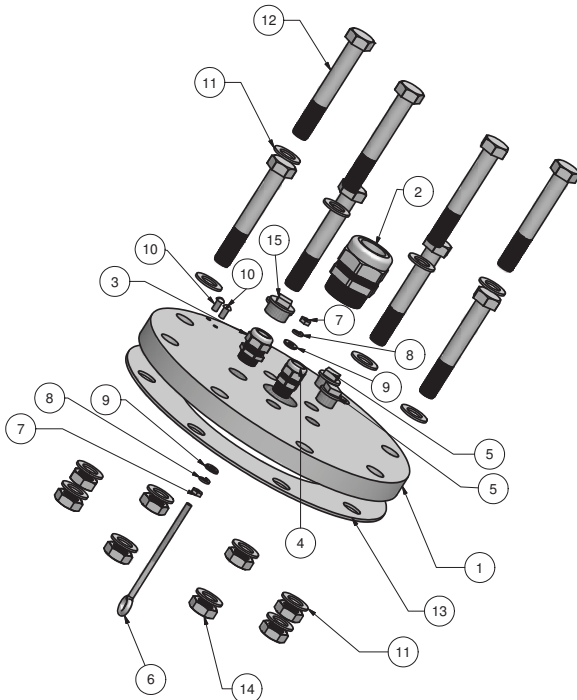


BOLT 3/4" X 10 TPI X 5" LONG
18-8 STAINLESS STEEL WITH
NUTS AND WASHERS, 8 SETS

EYE BOLT FOR PUMP
RESTRAINING CABLE
STAINLESS STEEL
LOOP WELDED CLOSED

DRAWN SWells	5/23/2007		Durham Geo Slope Indicator 2175 West Park Court Stone Mountain, GA 30087	
CHECKED			TITLE	
QA		TR-27602, 8" FLANGE SEAL ASSEMBLY		
MFG				
APPROVED				
STOCK NUMBER TR-27602		SIZE B	DWG NO 602812	REV A
PLUG SEALS		SCALE	SHEET 1 OF 2	

REVISION HISTORY			
REV	DESCRIPTION	DATE	APPROVED
A	RELEASE FOR PRODUCTION	5/23/2007	SWells



Parts List			
ITEM	QTY	PART NUMBER	DESCRIPTION
1	1	602809	8" FLANGE MODIFIED FOR SEAL
2	1	602505	DISCHARGE STRAIN RELIEF / SEAL
3	1	602506	EXHAUST STRAIN RELIEF / SEAL
4	1	602507	AIR INLET STRAIN RELIEF/SEAL
5	2	602508	1/2" PIPE PLUG
6	1	602504	EYE BOLT
7	2		NUT 1/4" X 20 TPI SS
8	2		LOCK WASHER 1/4" SS
9	2	602512	WASHER SEAL 1/4" SS
10	2		SCREW 1/4" X 20 TPI X 1/2" L SS
11	16		3/4" WASHER FLAT 18-8 S.S.
12	8	602804	BOLT, 3/4" X 10 TPI X 5" L. 18-8 SS
13	1	602799	GASKET 8" FLANGE FULL FACE BUNA-N
14	8	602806	NUT, 3/4" X 10 TPI 18-8 SS
15	1	602509	3/4" PIPE PLUG
16	4	602850	CLAMP 1/8" WIRE ROPE 304 SS
17	1	602772	1" HOSE CLAMP SS
18	2	602085	5/8" TO 3/8" HOSE CLAMP SS

NOTE: Items 16, 17 and 18 are not shown. These items are used to attach the restraining cable at the pump and well seal and to secure the tubing to the pump.

DRAWN SWells	5/23/2007		Durham Geo Slope Indicator 2175 West Park Court Stone Mountain, GA 30087	
CHECKED			TITLE	
QA		TR-27602, 8" FLANGE SEAL ASSEMBLY		
MFG				
APPROVED				
STOCK NUMBER TR-27602		SIZE B	DWG NO 602812	REV A
PLUG SEALS		SCALE	SHEET 2 OF 2	