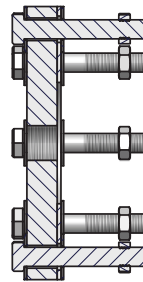
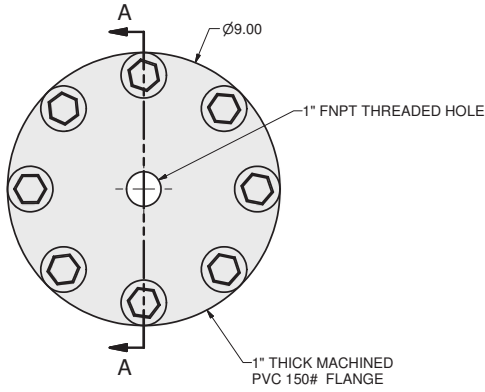
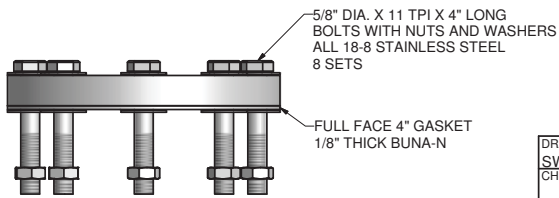


REVISION HISTORY			
REV	DESCRIPTION	DATE	APPROVED
A	RELEASE FOR PRODUCTION	5/24/2007	SWells

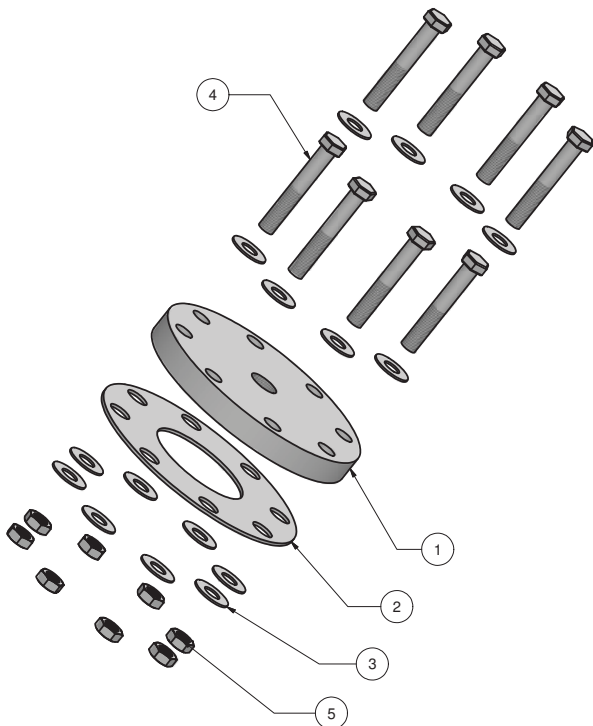


SECTION A-A



DRAWN SWells	5/24/2007	Durham Geo Slope Indicator 2175 West Park Court Stone Mountain, GA 30087	TITLE	
CHECKED			TR-27503, 4" FLANGE KIT ASSEMBLE	
QA		SIZE		REV
MFG		B	X +/- .030 .XX +/- .010 .XXX +/- .004	A
APPROVED		DWG NO		
STOCK NUMBER TR-27503		602767		
LFWHA		SCALE		SHEET 1 OF 2

REVISION HISTORY			
REV	DESCRIPTION	DATE	APPROVED
A	RELEASE FOR PRODUCTION	5/24/2007	SWells



Parts List				
ITEM	QTY	PART NUMBER	DESCRIPTION	
1	1	602555	FLANGE 4" MODIFIED	
2	1	602797	GASKET 4" FLANGE FULL FACE BUNA-N	
3	16		5/8" FLAT WASHER S.S.	
4	8	602802	BOLT, 5/8" X 11 TPI X 4" L. 18-8 SS	
5	8	602598	NUT 5/8" NC, 18-8 SS	

DRAWN SWells	5/24/2007	Durham Geo Slope Indicator 2175 West Park Court Stone Mountain, GA 30087	TITLE	
CHECKED			TR-27503, 4" FLANGE KIT ASSEMBLE	
QA		SIZE		REV
MFG		B	X +/- .030 .XX +/- .010 .XXX +/- .004	A
APPROVED		DWG NO		
STOCK NUMBER TR-27503		602767		
LFWHA		SCALE		SHEET 2 OF 2