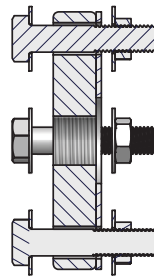
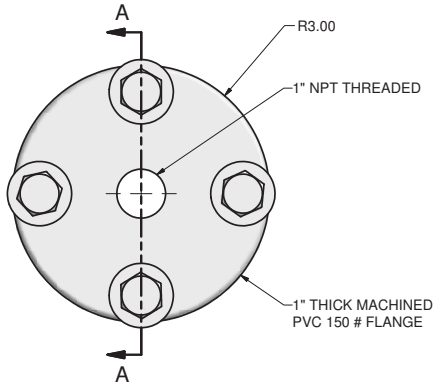
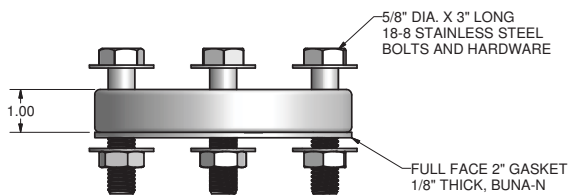



REVISION HISTORY			
REV	DESCRIPTION	DATE	APPROVED
A	RELEASED FOR PRODUCTION	5/2/2007	SWells

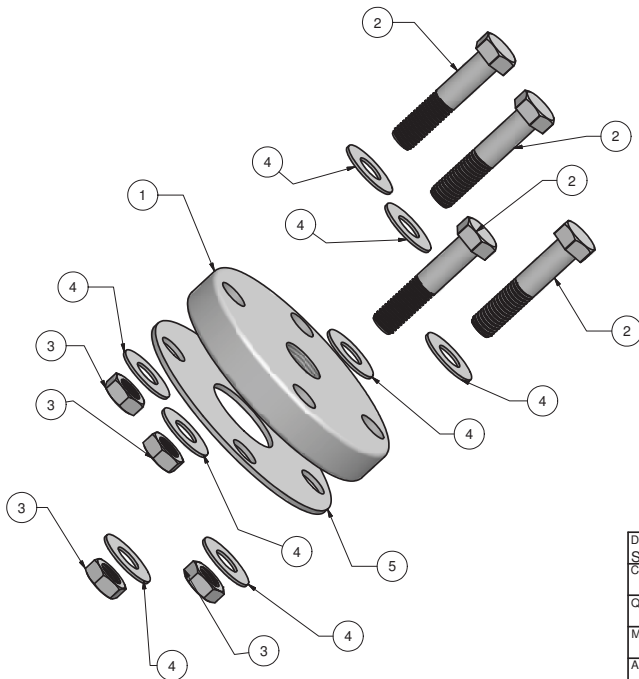


SECTION A-A




DRAWN SWells	5/2/2007	 Durham Geo Slope Indicator 2175 West Park Court Stone Mountain, GA 30087	TITLE TR-27501, 2" FLANGE KIT ASSEMBLY
CHECKED			
QA		SIZE B .X +/- .030 .XX +/- .010 .XXX +/- .004	DWG NO 602765
MFG			
APPROVED		SCALE	REV A
STOCK NUMBER TR-27501		SHEET 1 OF 2	
LEWHA		1	

REVISION HISTORY			
REV	DESCRIPTION	DATE	APPROVED
A	RELEASED FOR PRODUCTION	5/2/2007	SWells



Parts List			
ITEM	QTY	PART NUMBER	DESCRIPTION
1	1	602553	FLANGE 2" MODIFIED
2	4	602597	BOLT 5/8" X 3"L, 18-8 S.S.
3	4	602598	NUT 5/8" NC, 18-8 SS
4	8		5/8" FLAT WASHER S.S.
5	1	602608	2" GASKET 1/8" BUNA-N

DRAWN SWells	5/2/2007	 Durham Geo Slope Indicator 2175 West Park Court Stone Mountain, GA 30087	TITLE TR-27501, 2" FLANGE KIT ASSEMBLY
CHECKED			
QA		SIZE B .X +/- .030 .XX +/- .010 .XXX +/- .004	DWG NO 602765
MFG			
APPROVED		SCALE	REV A
STOCK NUMBER TR-27501		SHEET 2 OF 2	
LEWHA		1	