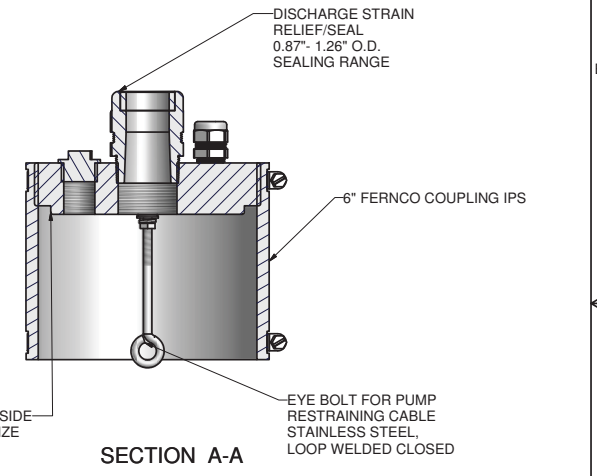
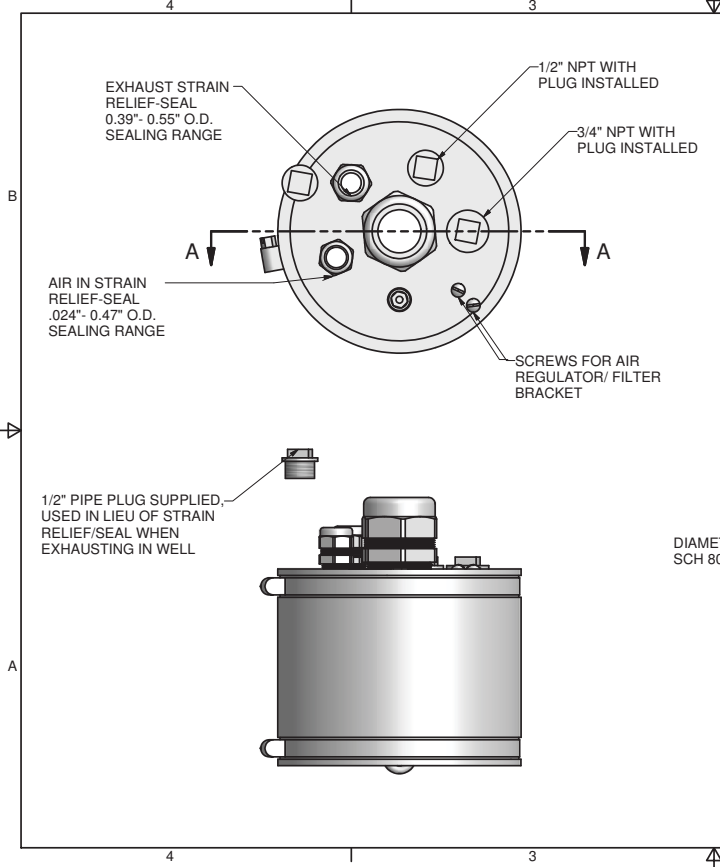
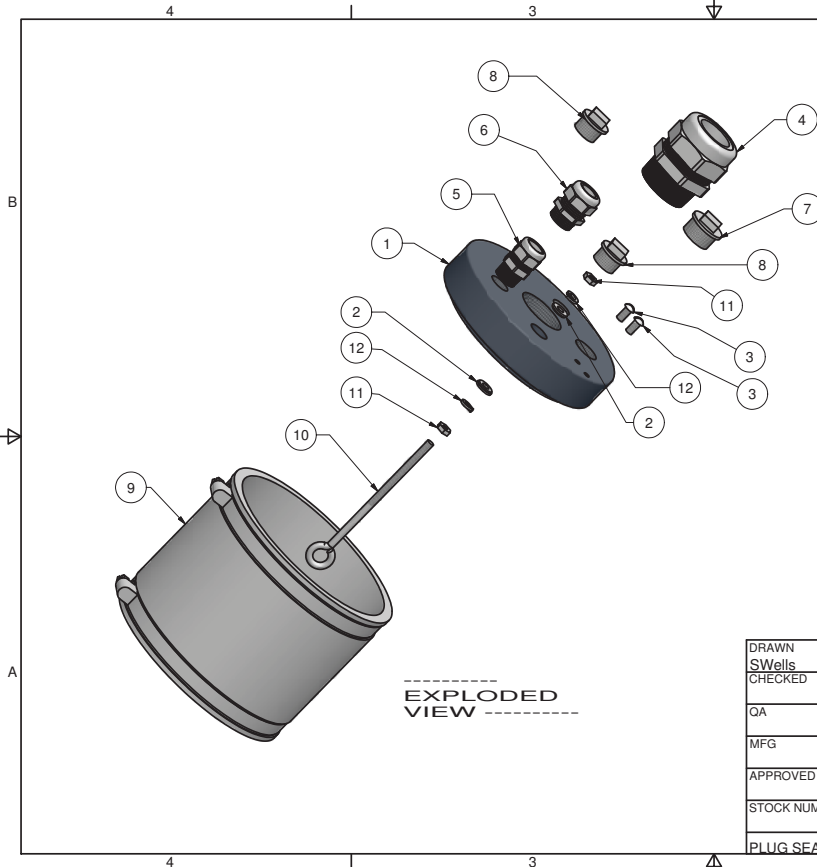


REVISION HISTORY			
REV	DESCRIPTION	DATE	APPROVED
A	RELEASE FOR PRODUCTION	12/18/2006	SWells



DRAWN SWells	12/18/2006	Durham Geo Slope Indicator 2175 West Park Court Stone Mountain, GA 30087	TITLE	
CHECKED			TR-271, 6" SEAL ASSEMBLY	
QA		SIZE	XX +/- .030 XX +/- .010 XXX +/- .004	DWG NO
MFG		B	602515	REV
APPROVED		SCALE		A
STOCK NUMBER		PLUG SEALS		SHEET 1 OF 2

REVISION HISTORY			
REV	DESCRIPTION	DATE	APPROVED
A	RELEASE FOR PRODUCTION	12/18/2006	SWells



Parts List			
ITEM	QTY	PART NUMBER	DESCRIPTION
1	1	602499	6" PVC SEAL
2	2	602512	WASHER SEAL 1/4" SS
3	2		SCREW 1/4" X 20 TPI X 1/2" L SS
4	1	602505	DISCHARGE STRAIN RELIEF/ SEAL
5	1	602507	AIR INLET STRAIN RELIEF/SEAL
6	1	602506	EXHAUST STRAIN RELIEF / SEAL
7	1	602509	3/4" PIPE PLUG
8	2	602508	1/2" PIPE PLUG
9	1	602502	6" FERNCO COUPLING
10	1	602504	EYE BOLT
11	2		NUT 1/4" X 20 TPI SS
12	2		LOCK WASHER 1/4" SS
13	4	602850	CLAMP 1/8" WIRE ROPE 304 SS
14	1	602772	1" HOSE CLAMP SS
15	2	602085	5/8" TO 3/8" HOSE CLAMP SS

NOTE: Items 13,14 and 15 are not shown. These items are used to attach the restraining cable at the pump and well seal and to secure the tubing to the pump.

DRAWN SWells	12/18/2006	Durham Geo Slope Indicator 2175 West Park Court Stone Mountain, GA 30087	TITLE	
CHECKED			TR-271, 6" SEAL ASSEMBLY	
QA		SIZE	XX +/- .030 XX +/- .010 XXX +/- .004	DWG NO
MFG		B	602515	REV
APPROVED		SCALE		A
STOCK NUMBER		PLUG SEALS		SHEET 2 OF 2