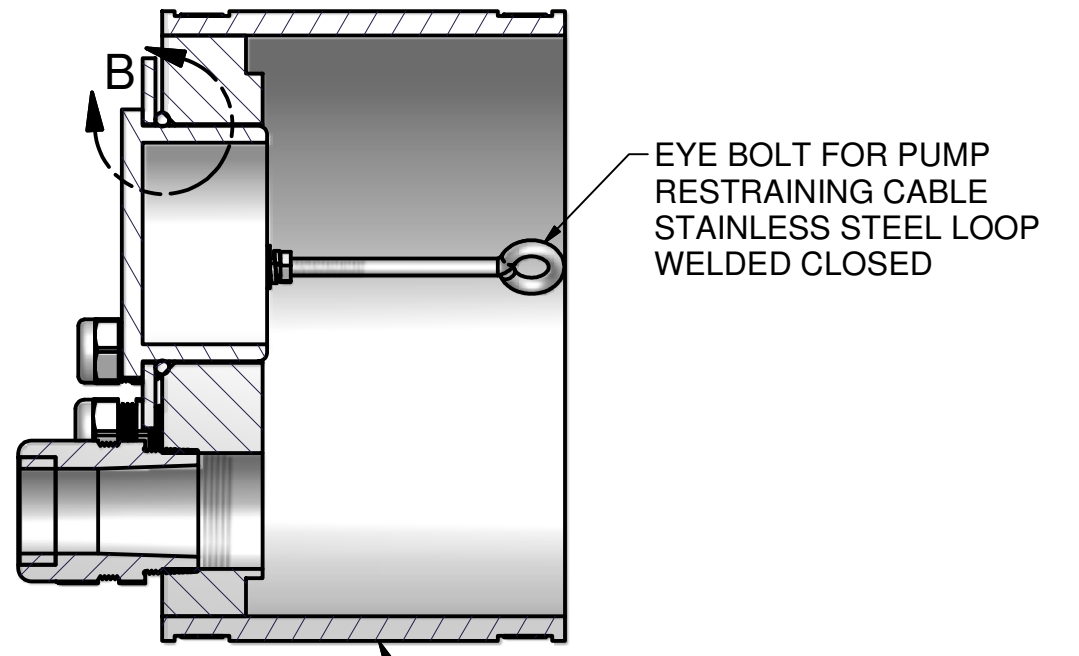
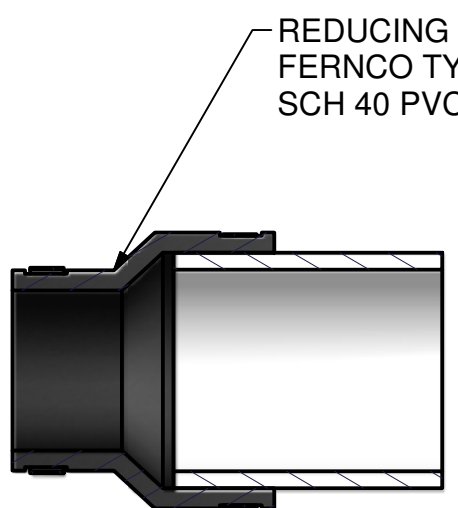
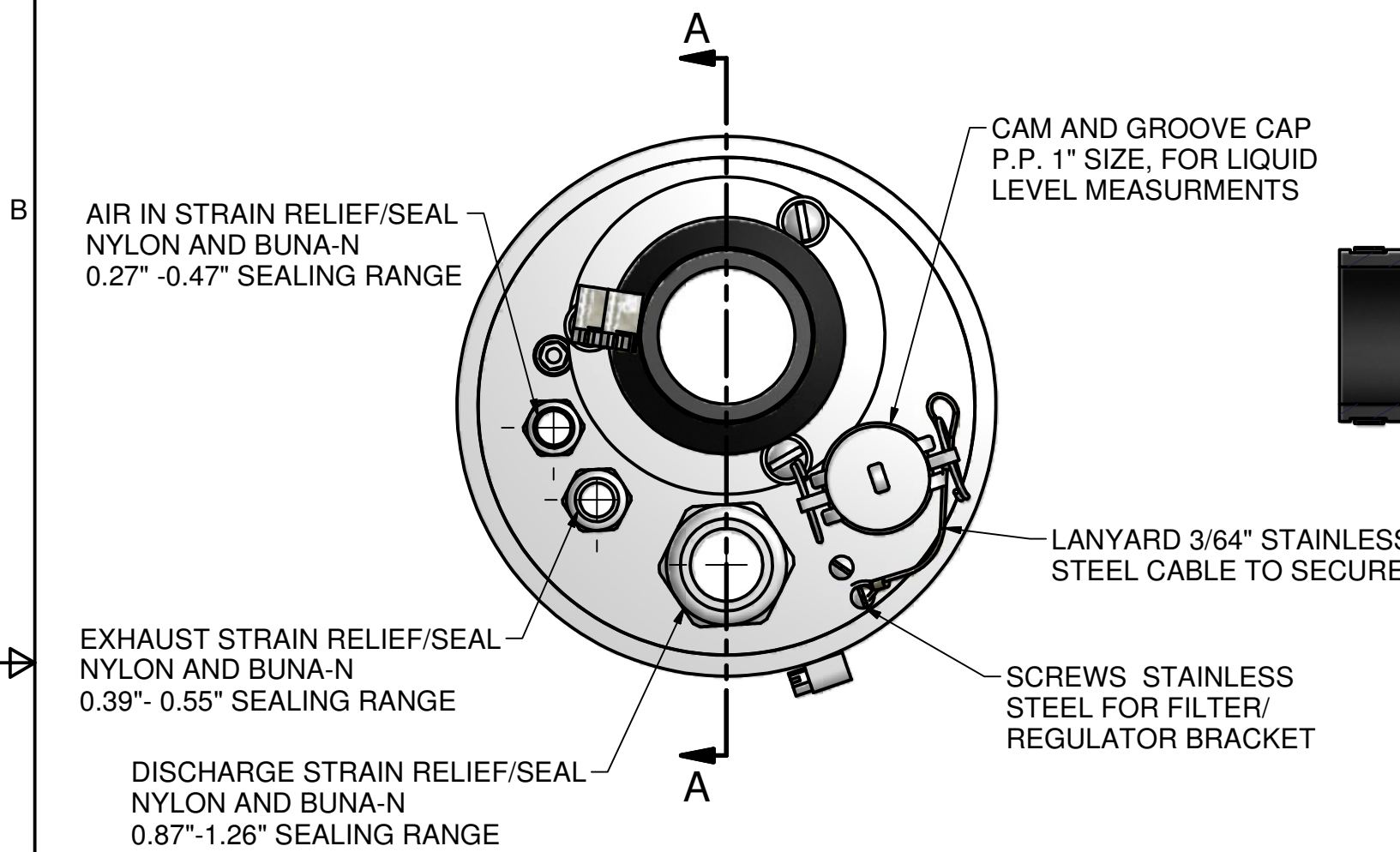
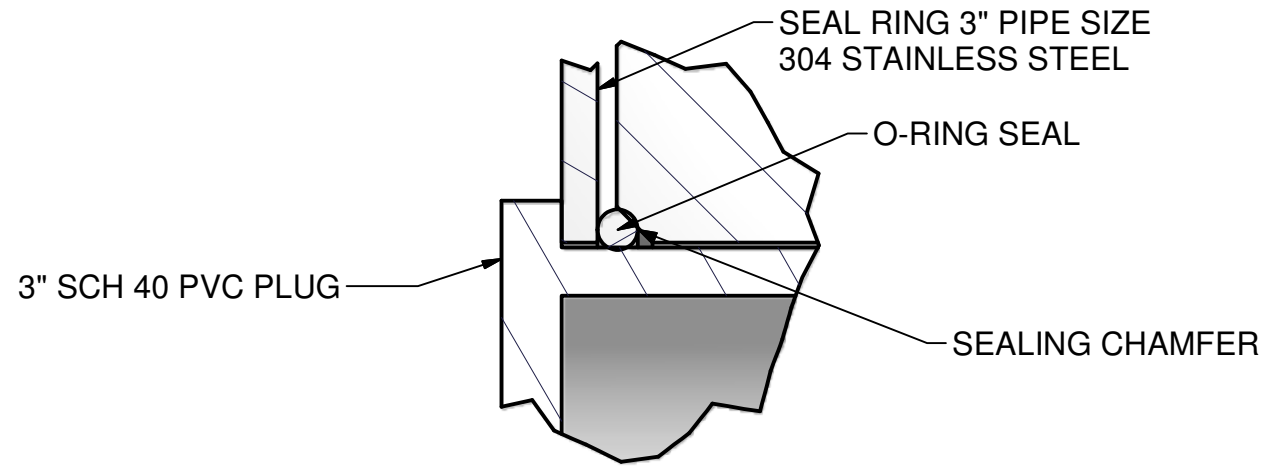



REVISION HISTORY			
REV	DESCRIPTION	DATE	APPROVED
A	RELEASE FOR PRODUCTION	2/23/2009	SWells



SECTION A-A



DETAIL B

DRAWN SWells	9/18/2008	 DGS Durham Geo Slope Indicator 2175 West Park Court Stone Mountain, GA 30087	TITLE	
CHECKED				
QA		TR-27005, 8" PLUG SEAL		
MFG				
APPROVED				
STOCK NUMBER		SIZE B .X +/- .030 .XX +/- .010 .XXX +/- .004	DWG NO 603343	REV A
PLUG SEALS		SCALE	SHEET 1 OF 2	

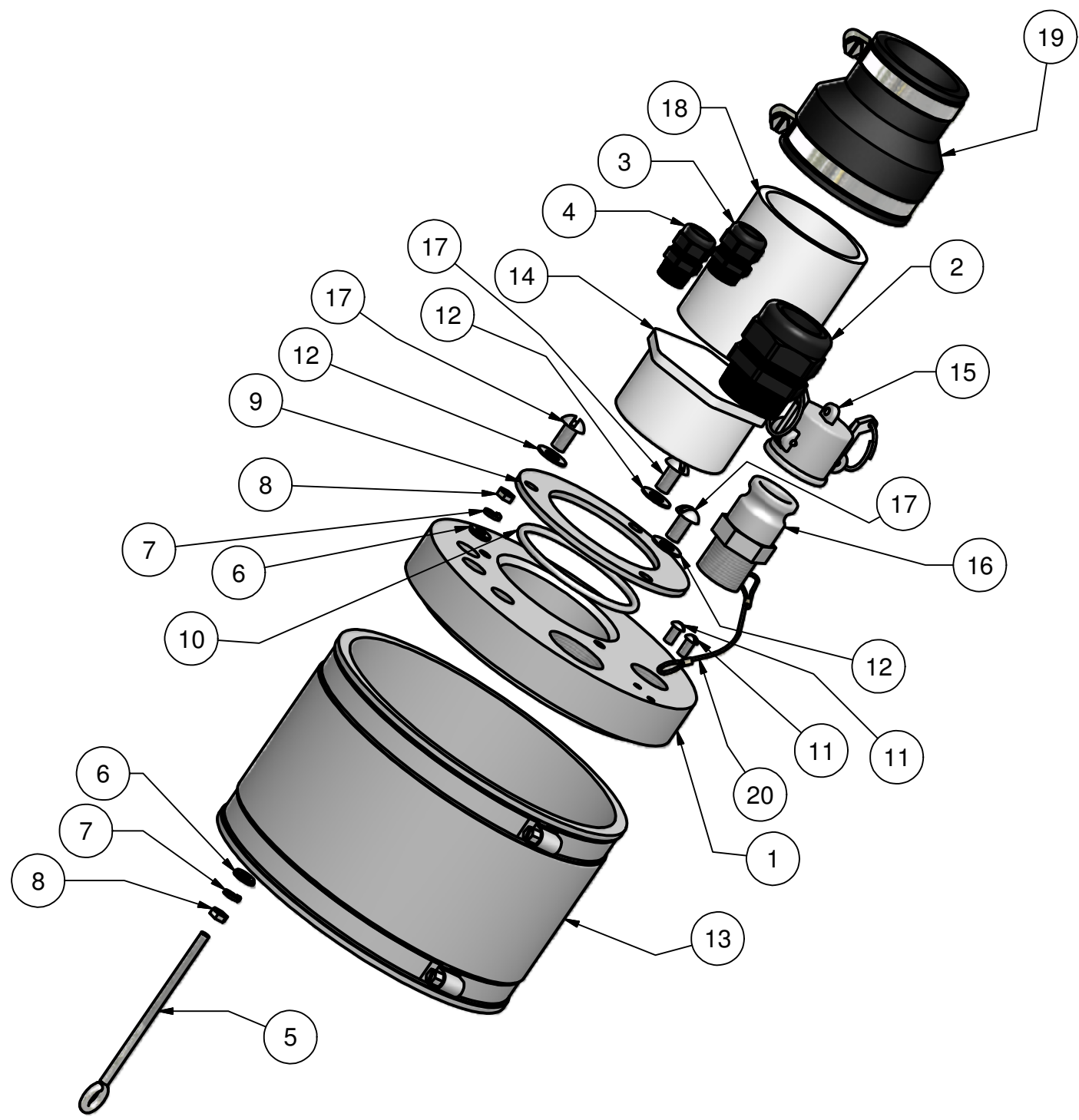
4

3


2

1

REVISION HISTORY			
REV	DESCRIPTION	DATE	APPROVED
A	RELEASE FOR PRODUCTION	2-24-2009	SWells



Parts List			
ITEM	QTY	PART NUMBER	DESCRIPTION
1	1	603341	8" PLUG SEAL/3"PIPE
2	1	602505	DISCHARGE STRAIN RELIEF/ SEAL
3	1	602506	EXHAUST STRAIN RELIEF / SEAL
4	1	602507	AIR INLET STRAIN RELIEF/SEAL
5	1	602504	EYE BOLT
6	2	602512	WASHER SEAL 1/4" SS
7	2		LOCK WASHER 1/4" SS
8	2		NUT 1/4" X 20 TPI SS
9	1	603342	SEAL RING 3" PIPE SIZE
10	1	603424	O-RING #341 BUNA-N
11	2		SCREW 1/4" X 20 TPI X 1/2" L SS
12	3	603346	WASHER 3/8" 18-8 S.S.
13	1	602501	8" FERNCO COUPLING IPS
14	1	603418	PLUG PIPE 3" PVC SCH 40
15	1	603417	CAP 1" CAMLOC
16	1	602774	1" PLUG C & G X 1" MNPT PP
17	3	603419	SCREW 3/8-16 X 3/4"L.SS
18	1	603415	PIPE 3" PVC SCH 40
19	1	603416	REDUCING COUPLING 3" X 2"
20	1	603423	LANDYARD 12' LONG SS

DRAWN SWells	9/18/2008	 DGS Durham Geo Slope Indicator 2175 West Park Court Stone Mountain, GA 30087	
CHECKED			TITLE
QA		TR-27005, 8" PLUG SEAL	
MFG			
APPROVED			
STOCK NUMBER		SIZE B .X +/- .030 .XX +/- .010 .XXX +/- .004	DWG NO 603343
PLUG SEALS		SCALE	REV A
			SHEET 2 OF 2

4

3

2

1