

# PRESS-UR-METER

## C-435A

Copyright ©2007 Durham GeoSlope Indicator. All Rights Reserved.

This equipment should be installed, maintained, and operated by technically qualified personnel. Any errors or omissions in data, or the interpretation of data, are not the responsibility of Durham Geo Slope Indicator. The information herein is subject to change without notification.

This document contains information that is proprietary to Durham Geo Slope Indicator and is subject to return upon request. It is transmitted for the sole purpose of aiding the transaction of business between Durham Geo Slope Indicator and the recipient. All information, data, designs, and drawings contained herein are proprietary to and the property of Durham Geo Slope Indicator, and may not be reproduced or copied in any form, by photocopy or any other means, including disclosure to outside parties, directly or indirectly, without permission in writing from Durham Geo Slope Indicator.



2175 West Park Court  
Stone Mountain, Georgia, USA, 30087  
Tel: 770-465-7557 Fax: 770-465-7447  
E-mail: [solutions@durhamgeo.com](mailto:solutions@durhamgeo.com)  
Website: [www.durhamgeo.com](http://www.durhamgeo.com)

# How to use the PRESS-UR-METER

**1.** Fill the base with a sample of fresh concrete, placing it in the base by vibrating or tamping it in. In much the same manner as the concrete is to be placed on the job. Strike off the base, level full, with the bronze straight edge furnished. Wipe the top of the edge clean.



**2.** Clamp cover on with petcocks open.



**3.** Using a rubber syringe, inject water through one petcock. Leave petcocks open.



**4.** With built-in pump, pump up air to the "Initial Pressure" line on the gauge.



**5.** Wait a few seconds for compressed air to cool to normal temperature then bleed off, as needed.

**6.** Close both petcocks and press down on "Thumb Lever" to release the air into the base. Hold thumb lever down for a few seconds, lightly tapping the gauge with a finger to stabilize the hand on the dial. **DO NOT TILT THE METER AT ANY TIME.**



**7.** Read percent of air in concrete on the dial.

**8.** Open petcocks to release the pressure then remove cover. Clean up the base, cover, and petcock openings.

**Meter No:**


**Date Tested:**

**Predetermined Initial Pressure Line:**

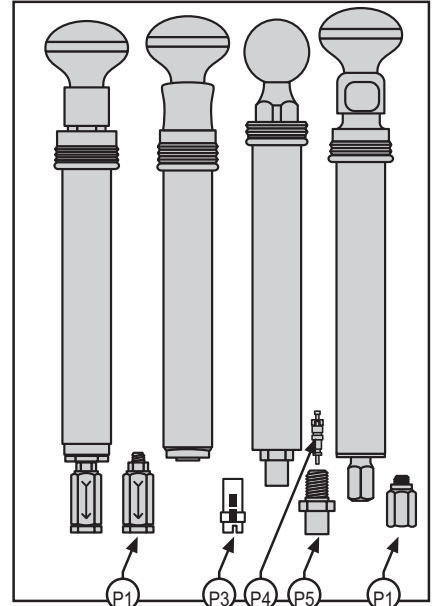
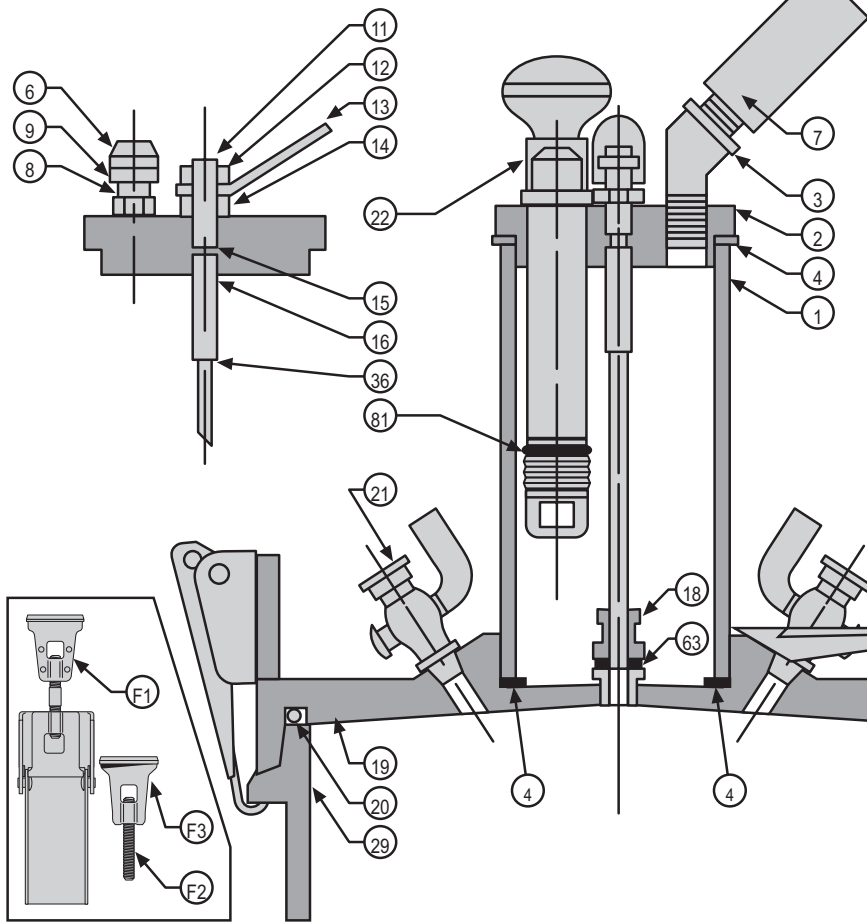
---

# How to calibrate the PRESS-UR-METER

## TO CHECK CALIBRATION OF METER GAUGE

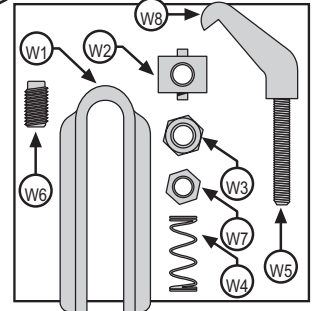
1. Fill the base full of water.
  2. Screw the short piece of straight tubing into the threaded petcock hole on the underside of the cover. Clamp cover on the base with the tube extending down into the water.
  3. With both petcocks open, add water with syringe through the petcock having the pipe extension below, until all air is forced out opposite petcock. Leave both petcocks open.
  4. Pump up air pressure to a little beyond the pre-determined initial pressure line, Wait a few seconds for compressed air to cool to normal temperature and then stabilize the gauge hand at the proper initial pressure line by pumping or bleeding off as needed.
  5. Close both petcocks and immediately press down on the thumb lever exhausting air into the base. Wait a few seconds until the hand is stabilized. If all the air was eliminated and the initial pressure line was correctly selected, the gauge should read 0%. If two or more tests show a consistent variation from 0% in the result , then change initial pressure line to compensate for the variation. Use the newly established "initial pressure" line for subsequent tests.
  6. Screw curved tube into the outer end of petcock and while pressing on thumb lever and controlling flow with petcock lever, fill the 5% calibrating vessel level full of water from the base.
  7. Release the air at the free petcock. Open the other petcock and let the water in the curved pipe run back in to the base. There is now 5% air in the base.
  8. With petcocks open, pump air pressure in exact manner as outlined in paragraph 4.
- 
- Close petcocks and immediately press the thumb lever. Wait a few seconds for exhaust air to warm to normal temperature, and for the needle to stabilize . The dial should now read 5%.
9. If two or more consistent tests show that the gauge reads incorrectly at 5% air in excess of -2% (or whatever is considered satisfactory) , then remove gauge glass and reset the dial hand to 5% by turning the recalibrating screw.
  10. When gauge hand reads correctly at 5%, additional water may be withdrawn in same manner to check results at 10%, 15%, 20%, etc..
  11. The recalibrating screw is located in the center of the pointer.

## Parts for Type B Air Pressure Meters



Pump and Check Valve Style

Watts (Concrete Specialty) Style Clamp Parts



Forney Style Clamp Parts

Drawing #	Part No.	Description	Qty Req'd	Drawing #	Part No.	Description	Qty Req'd
1	C-43501	Pressure Chamber	1	Not Shown	C-44132	Calibrating Tube (Curved)	1
2	C-43502	Pressure Chamber Cap	1	Not Shown	C-44133	Calibrating Tube (Straight)	1
3	C-43503	Pressure Chamber Elbow	1	Not Shown	C-44134	Strike-Off Bar	1
4	C-43504	Pressure Chamber Gasket	2	Not Shown	C-44135	Tamping Rod	1
6	C-43506	Air Bleeder Cap	1	Not Shown	C-44136	Syringe	1
7	C-43507	Gauge Complete	1	Not Shown	C-44137	Gauge Glass	1
8	C-43505	Air Bleeder Stem	1	Not Shown	C-44168	"Carrying Case, Wooden"	1
9	C-43569	Air Bleeder Cap Gasket	1	Not Shown	C-44168P	"Carrying Case, Molded Plastic"	1
11	C-43511	Needle Valve Stem	1	Not Shown	C-435A22-46	Pan Head Screw #10 x .5	3/latch
12	C-43512	Needle Valve Nut/Spring Retainer	1	F1	C-435A22	Latch Assembly Complete - 3 hole	4
13	C-43513	Needle Valve Lever	1	F1	C-435A22B	Latch Assembly Complete - 2 hole	4
14	C-43514	Needle Valve Spacer	1	F2	C-435A22-43	Latch Tab Stud	1
15	C-43515	Needle Valve O-ring	1	F3	C-435A22-44	Latch Tab	1
16	C-43516	Needle Valve Spring	1	P1	C-43566A	Pump Check Valve	1
18	C-43518	Needle Valve Seat Assembly	1	Not Shown	C-46020	Check Valve O-ring for P3	1
19	C-43519	Cover	1	P3	C-46050	Pump Check Valve (Nylon/Plastic)	1
20	C-43520	Cover O-ring	1	P4	C-43566	Pump Check Core Only	1
21	C-43521	Cover Petcock	2	P5	C-43565	Pump Check Kit w/ Core	1
22	C-43568	Pump Assembly Complete, Watts	1	W1	C-43526	Clamp Toggle	1/clamp
22	C-43568A	Pump Assembly Complete, Forney	1	W2	C-43524	Clamp Trunion	1/clamp
29	C-43529	Base	1	W3	C-43523	Clamp Stud Nut	1/clamp
36	C-43512	Needle Valve Nut/Spring Retainer	1	W4	C-43525	Clamp Spring	1/clamp
	C-435A12	Needle Valve Snap Ring Spring Retainer	1	W5	C-43542	Clamp Stud	1/clamp
63	C-43517	Needle Valve Seat O-ring	1	W6	C-43527	Clamp Set Screw	2/clamp
81	C-43561	Pump Piston O-ring	1	W7	C-43528	Clamp Lock Nut	2/clamp
Not Shown	C-44131	Calibrating Vessel	1	W8	C-43522	Clamp	1/clamp