

F.A.P. Plus™ Pump





1. Description



2. Installation

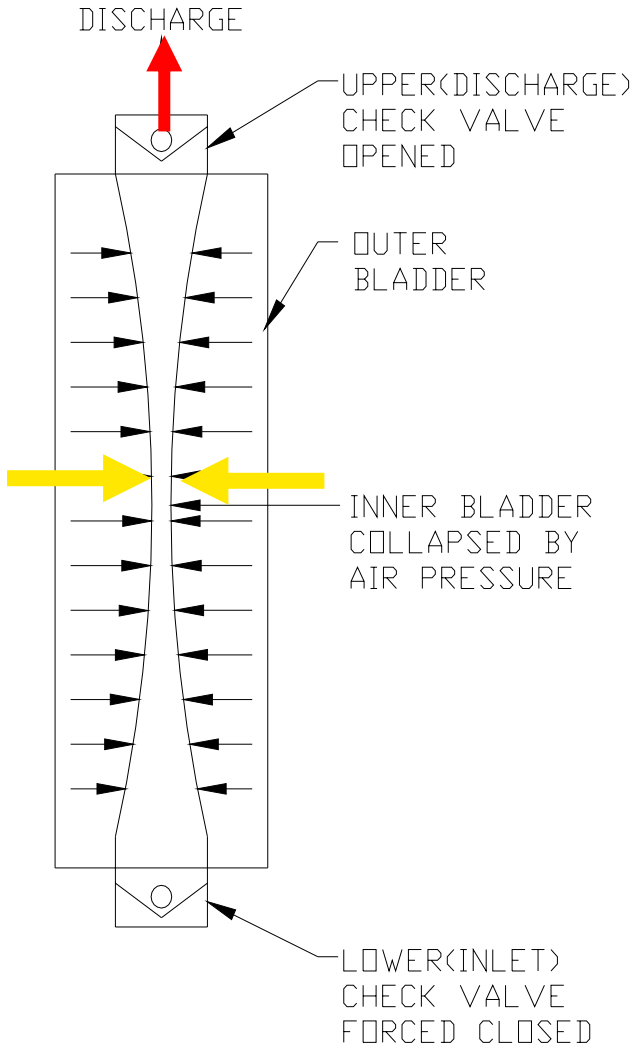


1. Description

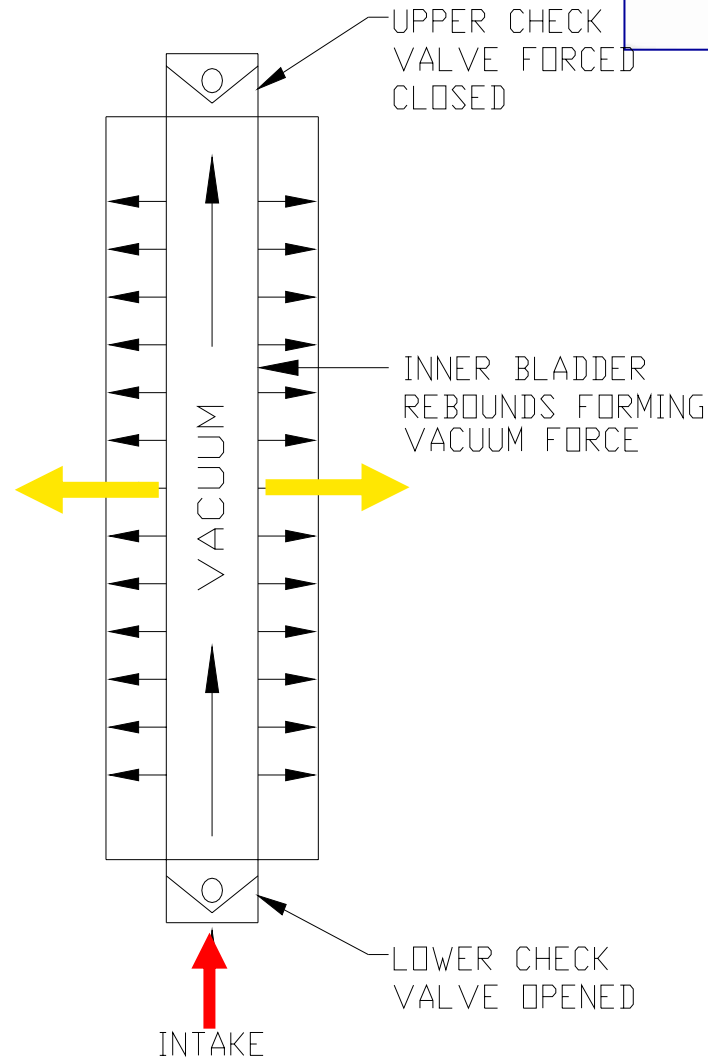
How does it work?



Discharge Phase



Intake Phase



Inside a well ...

1

Product level above filter

Product pumped through the by-pass

By-pass

Hydrophobic Filter

Product/water interface

Float

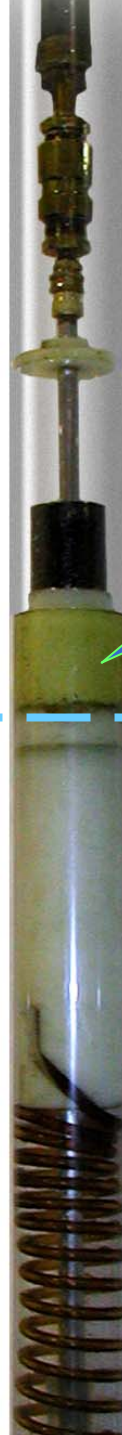


1



2

Product level at filter



Product pumped through the hydrophobic filter

1



2



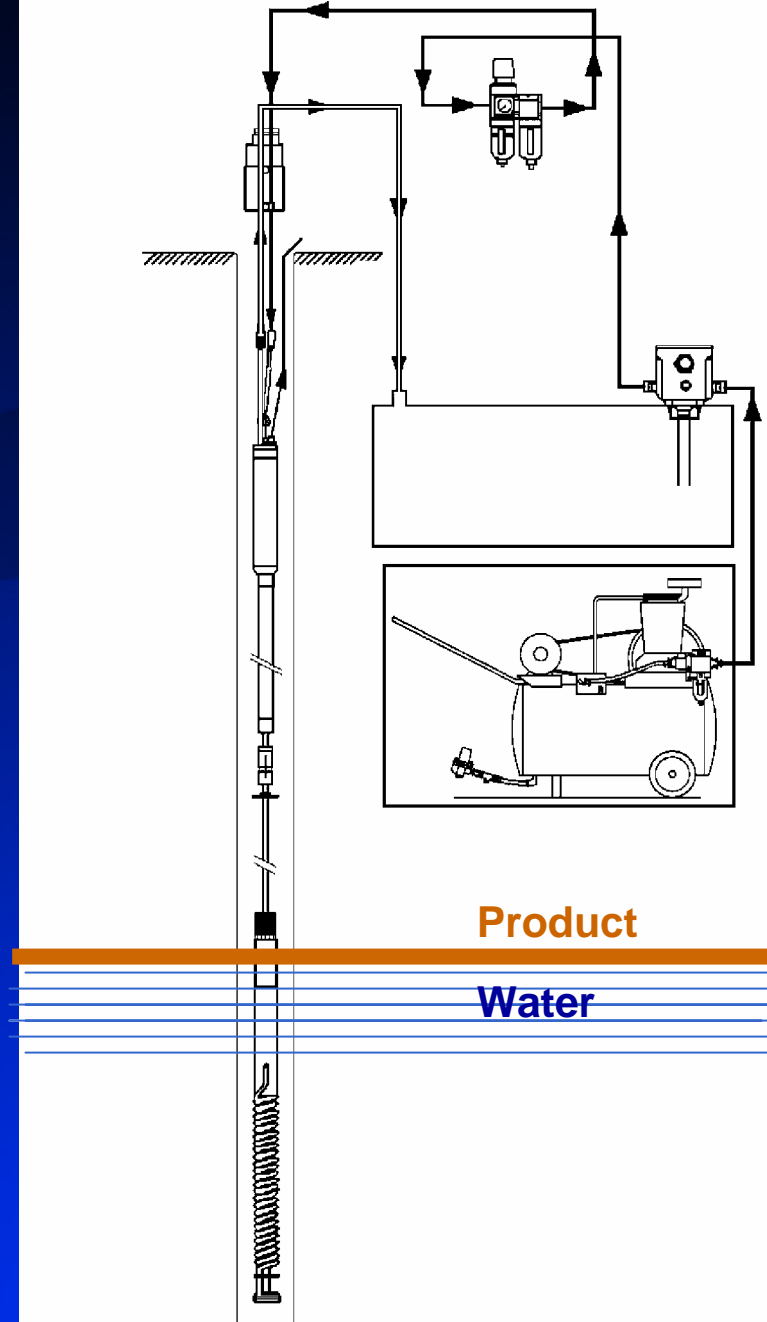
3

Water level
rose more
than coiled
hose can
accommodate

WATER pumped
through the by-pass



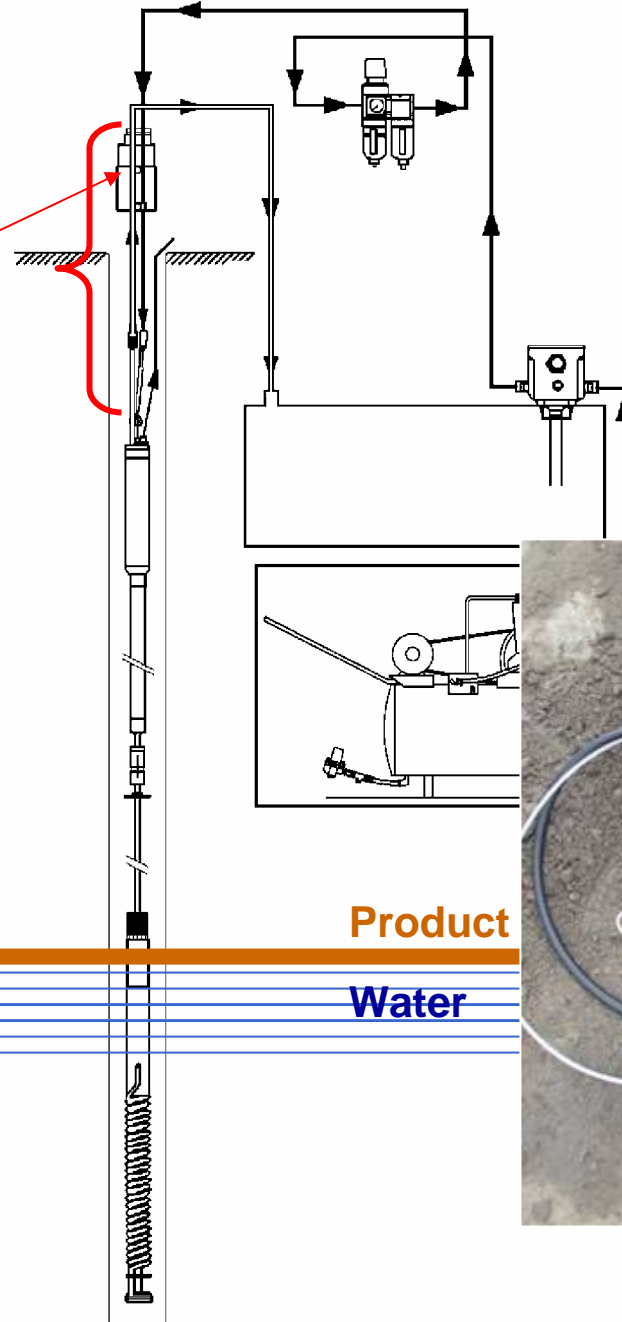
Typical Installation



Typical Installation



Well Clincher



Product

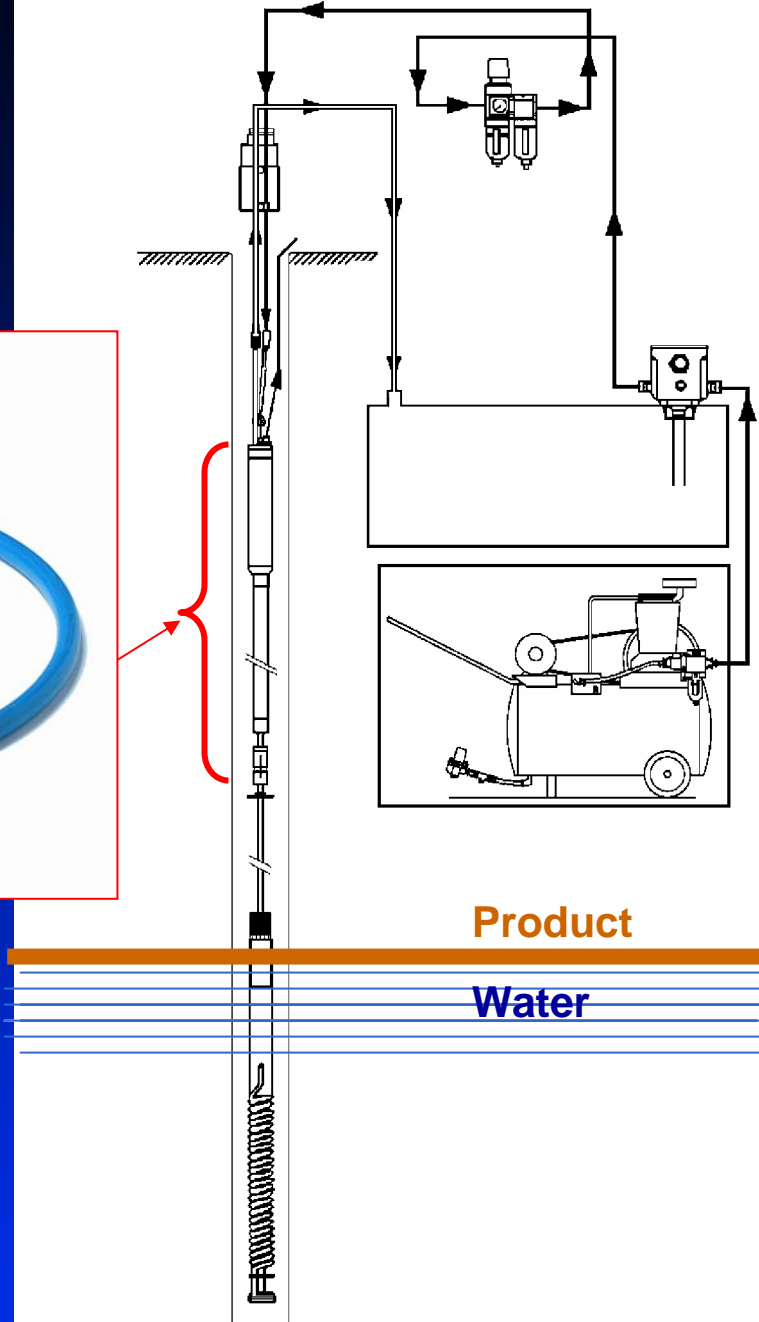
Water

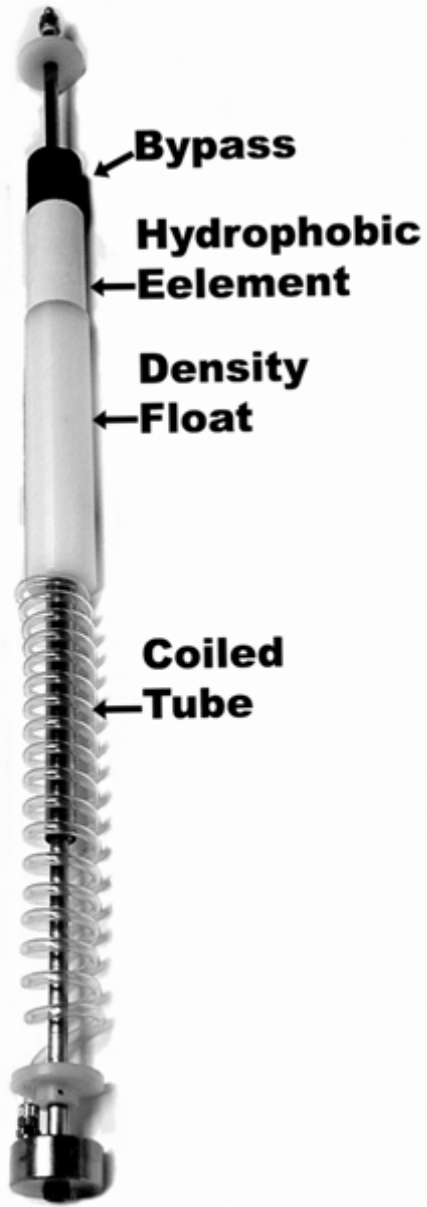


Typical Installation

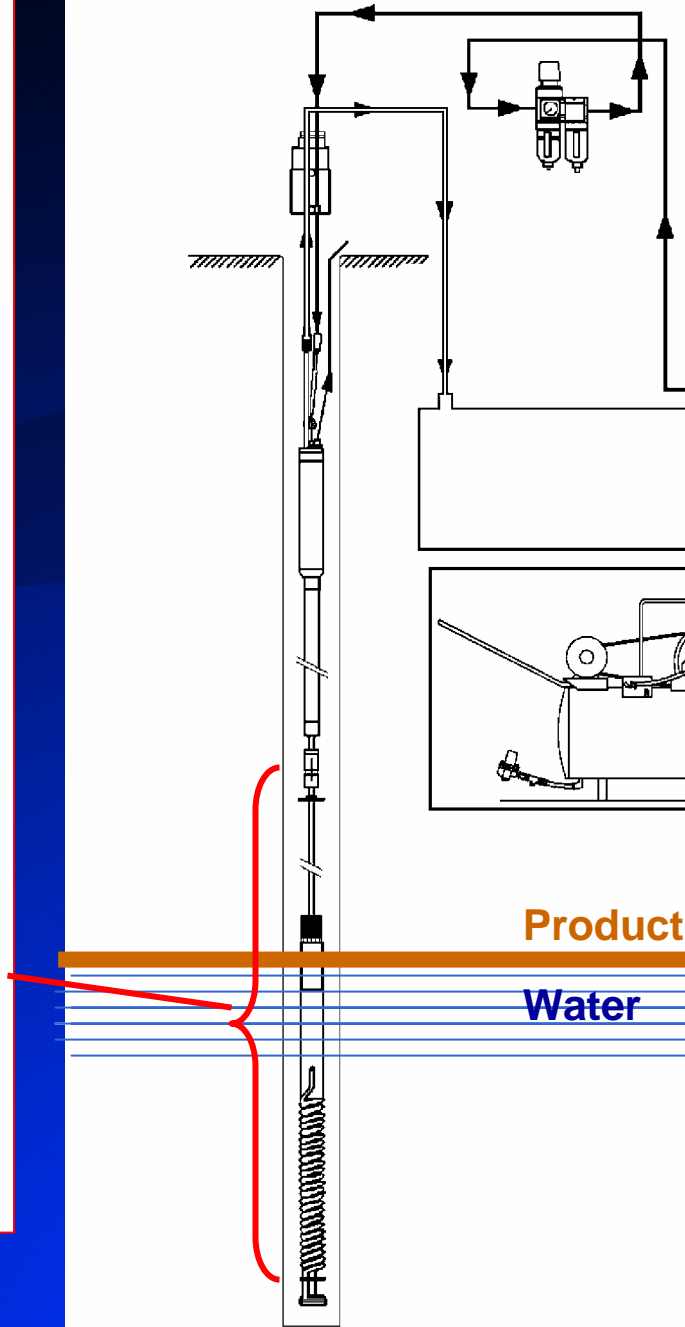


F.A.P. Pump





Standard Skimmer

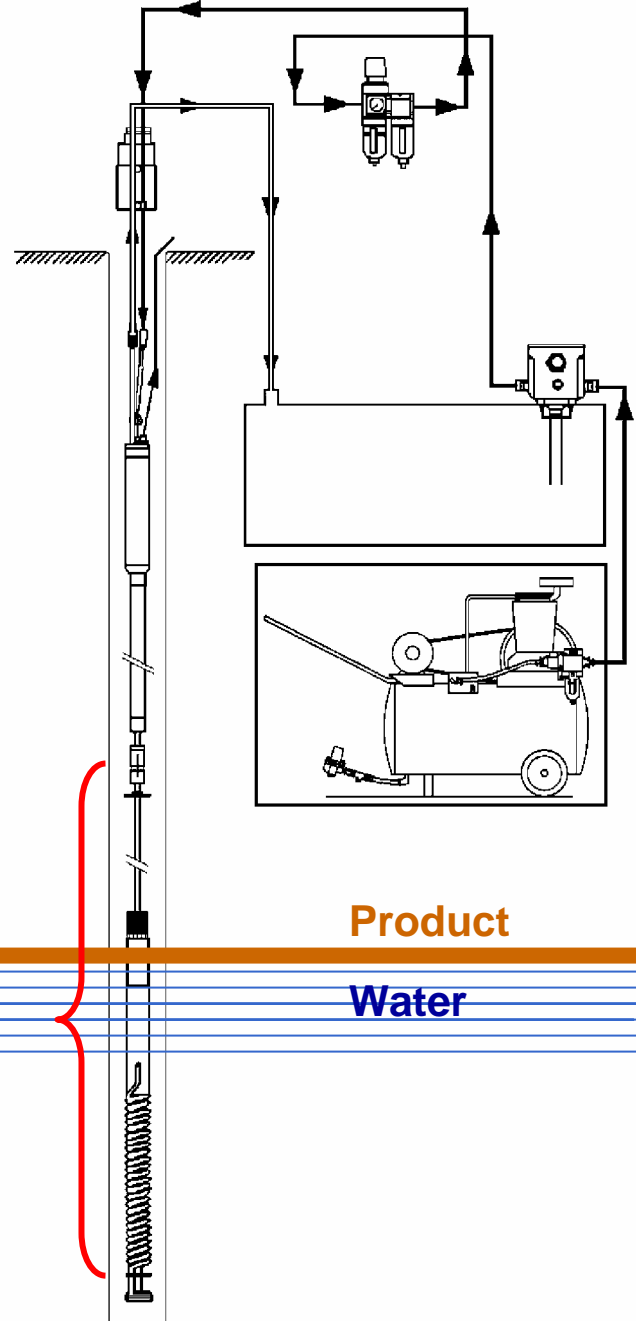


Typical Installation

Optional Skimmers



Density Skimmer



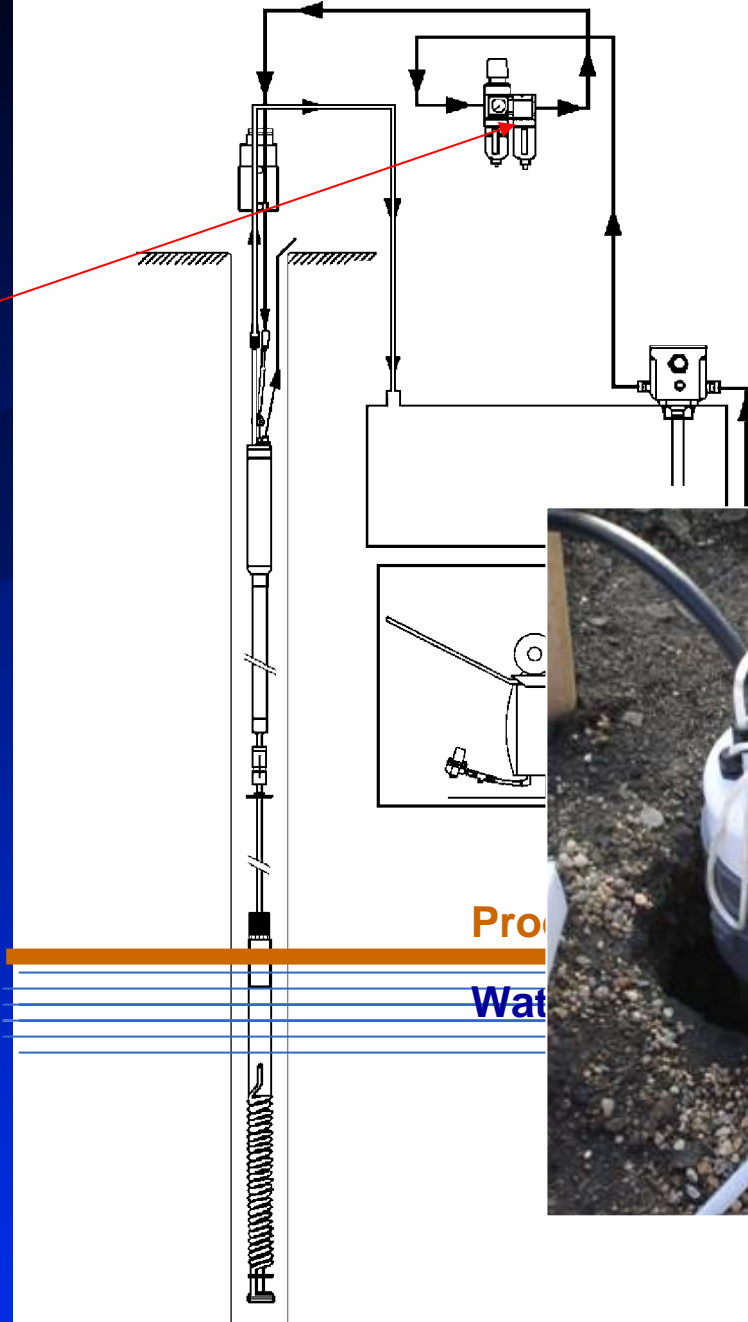
High Viscosity Skimmer



Typical Installation



Filter/Regulator

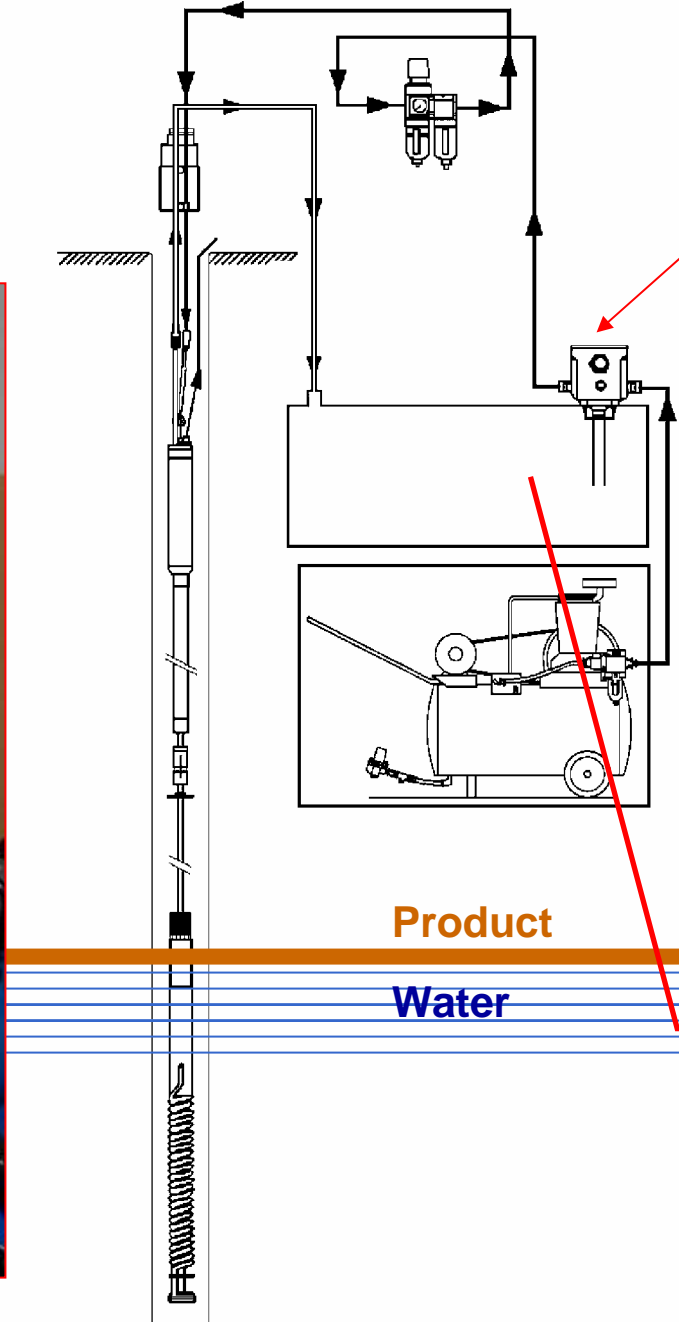


Pro

Wat



Typical Installation



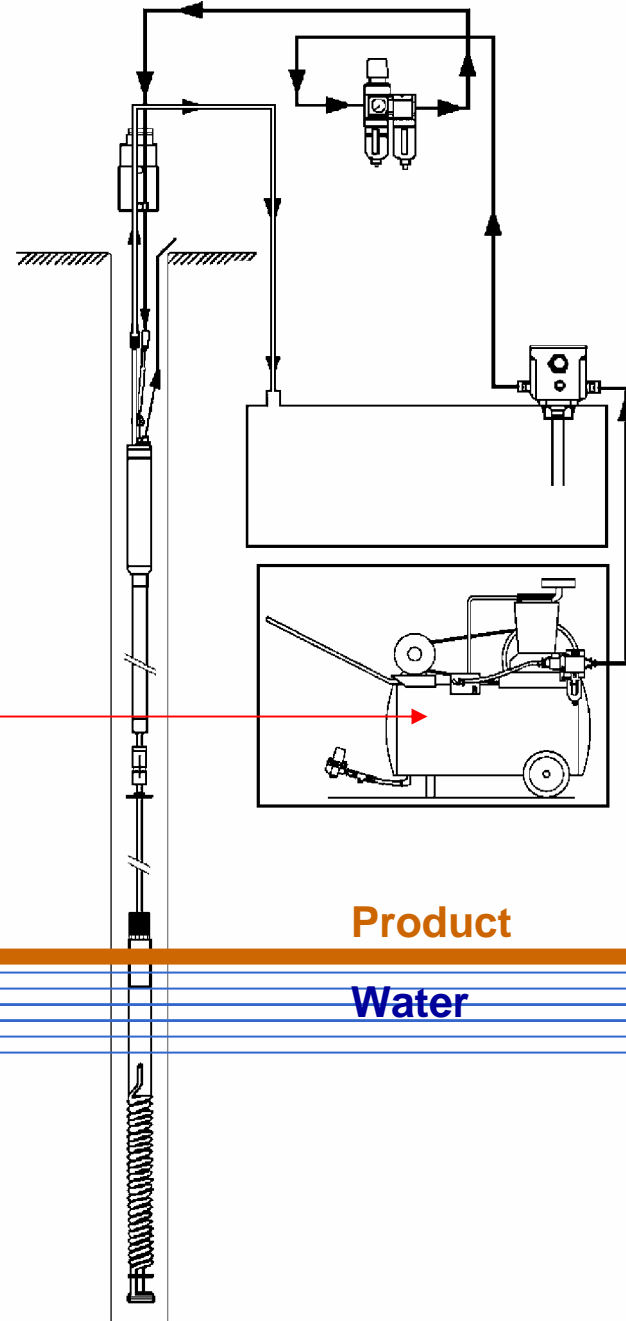
Overfill Protection Device

Product Storage Tank

Typical Installation



Air Compressor(s)

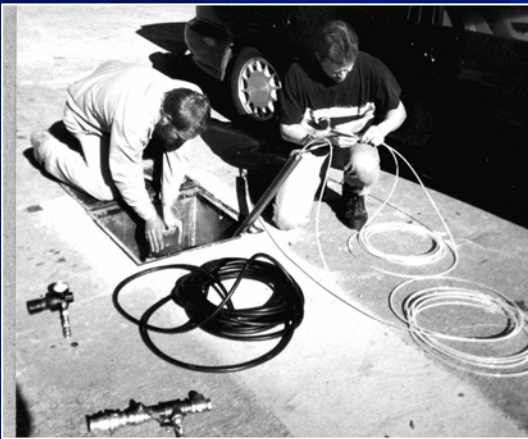


Product

Water



1. Description



2. Installation

Unpacking and coffee break



Setting Depth

